

EVO2000/2000T

OILBATH GEARMOTORS FOR SLIDING GATES



- 
ENCODER
only EVO2000
- 
SLOWING
available on all 3 models
- 
OIL BATH
available on all 3 models
- 
INDUSTRIAL
available on all 3 models

Electromechanical gearmotor in oilbath ideal for industrial sliding gates up to 2000 Kg. Complete with magnetic limits and available in two versions: 230 V and 400 V.

Safe and precise thanks to the encoder and the slowing down in opening and closing (230 V), and motor with electromagnetic brake (400 V).

Versatile fixing plate with adjustable height and depth.

Reliable with a sturdy aluminum base treated against oxidation, all gears in oilbath. **Constant performance** over time and in any condition thanks to reduced wear&tear and the possibility to maintain the oil at the ideal temperature using HOT (optional). Manual release with coded lock.



EVO2000

230 V irreversible electromechanical gearmotor. Electronic brake and built in control unit.

EVO2000T

400 V irreversible electromechanical gearmotor. Dry clutch, electromagnetic brake. Without control unit.

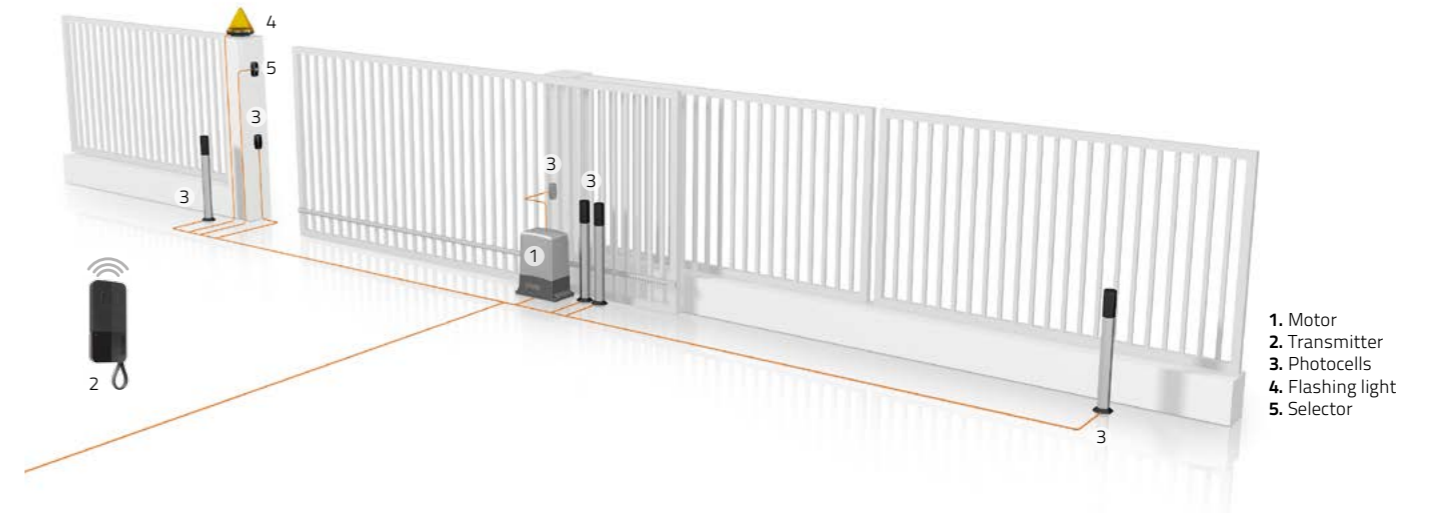


release key

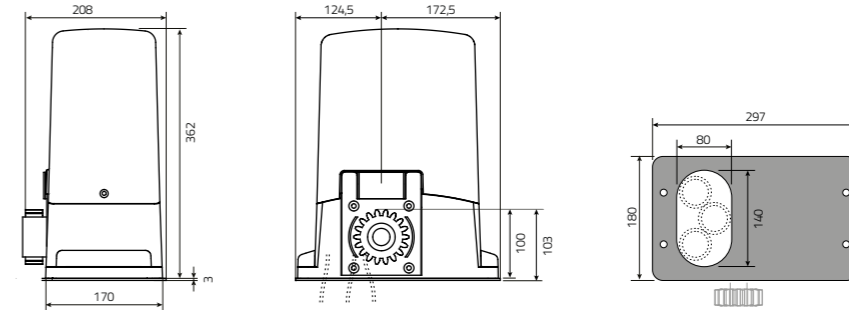
TECHNICAL SPECIFICATIONS	EVO2000	EVO2000T	TECHNICAL SPECIFICATIONS BUILT IN CONTROL UNIT	EVO2000	GENERAL DATA	EVO2000	EVO2000T
	Motor power supply	230 V		400 V		Model	T101
Max. motor current	4,3 A	2,7 A	Power supply	230 V	Protection level	IP 44	IP 44
Motor power	1000 W	1800 W	Max. current	6,3 A	Weight	21 Kg	22 Kg
Max. torque	50 Nm	90 Nm	Electronic slow down	YES	Pallet	20 pcs	20 pcs
Thrust	1400 N	2500 N					
Max gate weight	2000 Kg	2000 Kg					
Actuator speed	10 m/min	10 m/min					
Work cycles	50%	intensive					
Capacitor	20 µF	-					
Encoder	YES	-					
Magnetic limit switch	YES	YES					
Thermal protection	160°C	160°C					
Electromagnetic brake	-	YES					
Oil lubricant	TS60	TS60					

EVO2000/2000T

INSTALLATION DIAGRAM



DIMENSIONS



Dimensions in mm

ACCESSORIES

CREM12

Metal rack. M4 30x12 mm, complete with weldable spacers DSC, screws M8x25 TE and washers Ø 8. Pack of 4 pcs 1 m each.



T400

Control unit for 230V mono-phase or 400V tri-phase motors. Perfect for EVO 2000T.



CREM22

Metal rack. M4 22x22 mm, weldable without spacers. Pack of 4 pcs 1 m each.



HOT

Electronic heating system with temperature sensor, for 230V motors.



DSC

Weldable spacers for CREM12 and CREM8. Pack of 30 pcs.



TS60

Oil for EVO2000 and EVO2000T. 1 liter.



DAC

Screwable spacers for CREM12 and CREM8. Pack of 30 pcs.



ADFCSM

Magnetic limit switch adapter, from open collector to NC.



DAP

Screwable and adjustable spacers for CREM12 and CREM8. Pack of 3 pcs.

